

PRODUCT INFORMATION PACKET

Model No: 5K42HN4089

Catalog No: K381

1/2 HP Fan and Blower HVAC/R Motor, 3 phase, 1800 RPM, 208-230/460 V, 56 Frame, ODP
Self Cooled Motors



Nameplate Specifications

Output HP	0.50 Hp	Output KW	0.37 kW
Frequency	60 Hz	Voltage	208-230/460 V
Current	2.3-2.2,1.1 A	Speed	1725 rpm
Service Factor	1.25	Phase	3
Efficiency	78.7 %	Power Factor	0
Duty	Continuous	Insulation Class	B
Design Code	B	KVA Code	K
Frame	56	Enclosure	Drip Proof
Thermal Protection	N/R	Ambient Temperature	40 °C
Drive End Bearing Size	6203	Opp Drive End Bearing Size	6203
UL	Recognized	CSA	Yes
CE	N		

Technical Specifications

Electrical Type	Three Phase	Starting Method	N/R
Poles	4	Rotation	Counterclockwise/Clockwise
Mounting	Resilient Base	Motor Orientation	ANY
Drive End Bearing	BALL	Opp Drive End Bearing	Ball
Frame Material	Rolled Steel	Overall Length	10.05 in
Frame Length	5.72 in	Shaft Diameter	0.630 in
Shaft Extension	1.88 in	Thru-bolts Extension	0 in
Outline Drawing	52A109606P1	Connection Drawing	113A930FIG2

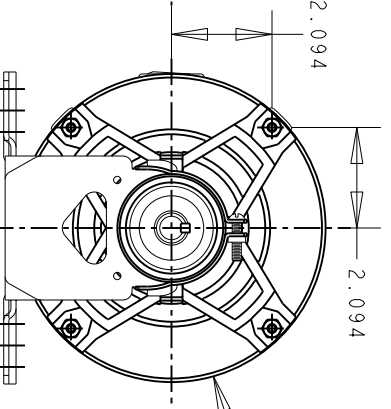
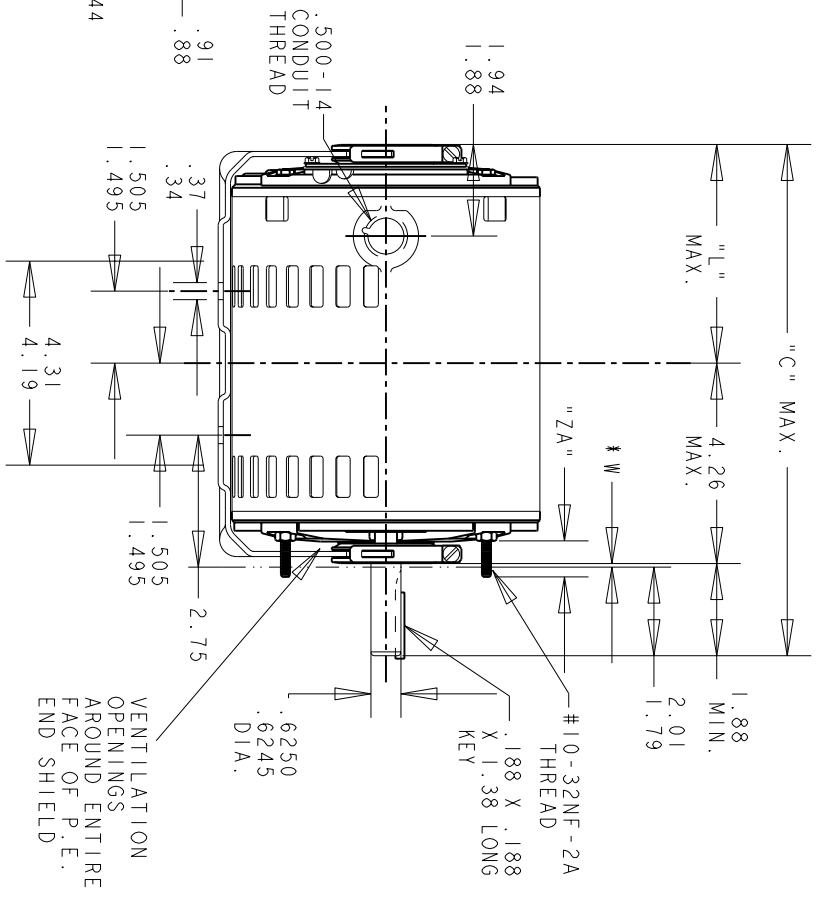
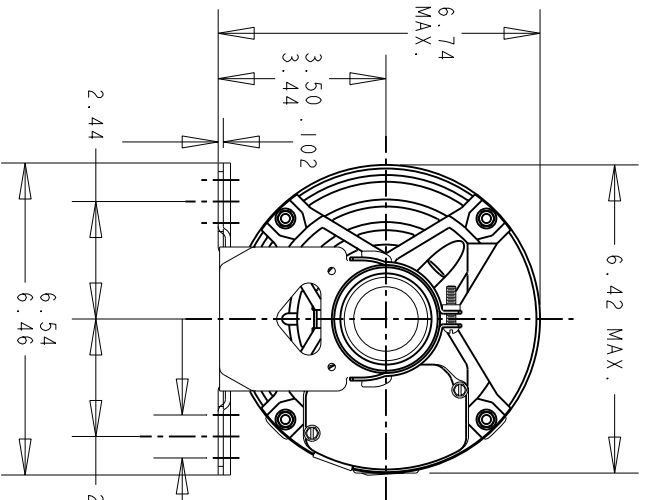
This is an uncontrolled document once printed or downloaded and is subject to change without notice. Date Created:03/11/2020

THIRD ANGLE PROJECTION



REVISIONS

REV.	DESCRIPTION	DATE	APPROVED
3	CHANGED GE SIZE FOR P3	05/07/04	ARUNK
4	CHG TO RBC FORMAT PER IS05-11777	03/21/06	SUDHA



VIEW OF P.E. END SHIELD

* W IS A VARIABLE CLEARANCE DUE TO VARIATIONS IN PARTS AND ASSEMBLY

3	2	1	P
K	K	K	TYPE
46	49	42	GE SIZE
56	56	56	NEMA FR.
10.88	10.48	10.05	"C"
4.62	4.22	3.79	"L"
.62	.62	.62	"ZA"
MIN. SHELL	6.15	5.72	MIN. SHELL

ALL DIMENSIONS ARE IN INCHES



REGAL-BELOTT CORPORATION

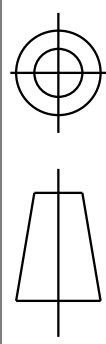
TITLE OUTLINE

GENERAL PURPOSE MOTOR - DRIP PROOF - BALL BEARING - RESILIENT BASE EXTENDED CLAMP SCREWS FWF - 40 FRAME REDESIGN

FOR ADDITIONAL INFO REFER TO:	MODEL	M.D.PAPE	DATE
APPLIED PRACTICES	CHECKED	ENGNG	MFG
DIMENSIONS ARE IN INCHES	ISSUED	QUALITY	QUALITY
MATERIAL	SOLID MODEL: 52A109606	M.D.PAPE	03/31/94

SIZE	A	SCALE	0.250	REF. No.	
REV	4				

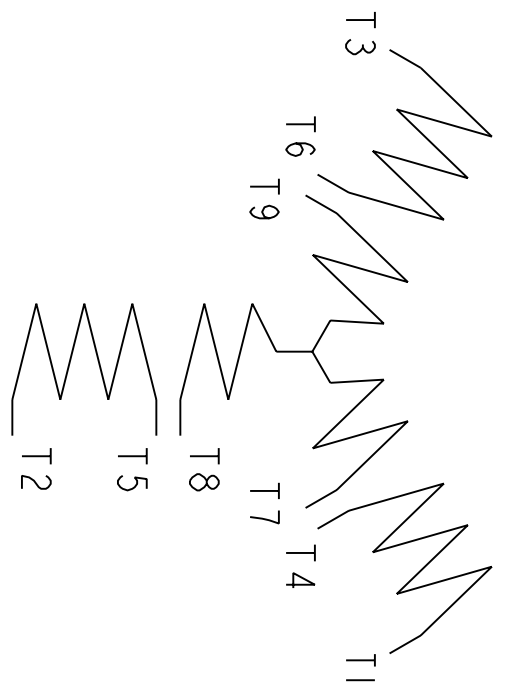
REV.	DESCRIPTION	DATE	APPROVED
1	CHG TO RBC FORMAT PER IS05-1777	06/15/06	MADHU
2	RENAMED 113A930_FIG-2 TO 113A930FIG2 PER IS07-0972	05/08/07	MADHU



This document is the property of REGAL-BELOIT CORPORATION ("RBC") including its subsidiaries and divisions and contains proprietary information of RBC. This document is loaned on the express condition that neither the recipient nor any other person shall be permitted to disclose or disseminate the information contained herein and that the recipient shall return this document to RBC upon its request. This document shall be restricted to RBC upon its export control laws and regulations.

FIG. 2

3 PHASE



	VOLTS	L1	L2	L3	TOGETHER
2Y	LOW	1-7	2-8	3-9	4-5-6
1Y	HIGH	1	2	3	4-7, 5-8, 6-9

BRAKE MOTORS : CONNECT BRAKE LEADS
B1 & B2 TO MOTOR
LEADS T7 & T8.

FOR ADDITIONAL INFO REFER TO:	SIGNATURES	DATE
APPLIED PRACTICES	M.D. PAPE	02/25/03
DIMENSIONS ARE IN INCHES	DETAIL	.
TOLERANCE ON:	CHECKED	.
1 PL DECIMALS ± 0.1	ENGRG	.
2 PL DECIMALS ± 0.02	MFG	.
3 PL DECIMALS ± 0.005	QUALITY	.
ANGLES ± 1.0	ISSUED	M.D. PAPE
FRACTIONS ±	FINISH	02/25/03
MATERIAL	SOLID MODEL: 113A930FIG2	



REGAL-BELOIT CORPORATION

TITLE
CONNECTION DIAGRAM

SIZE	DRAWING	SCALE: 1.000	REF. No:	SHEET 1 of 1
A				
	113A930FIG2			REV 2